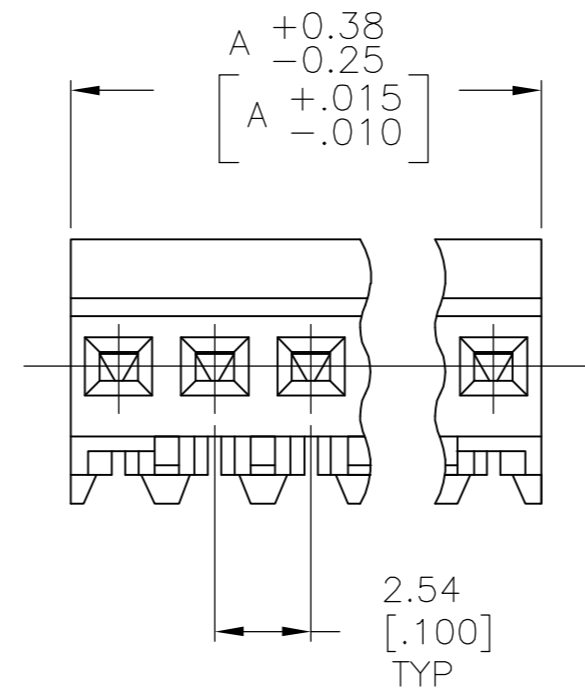
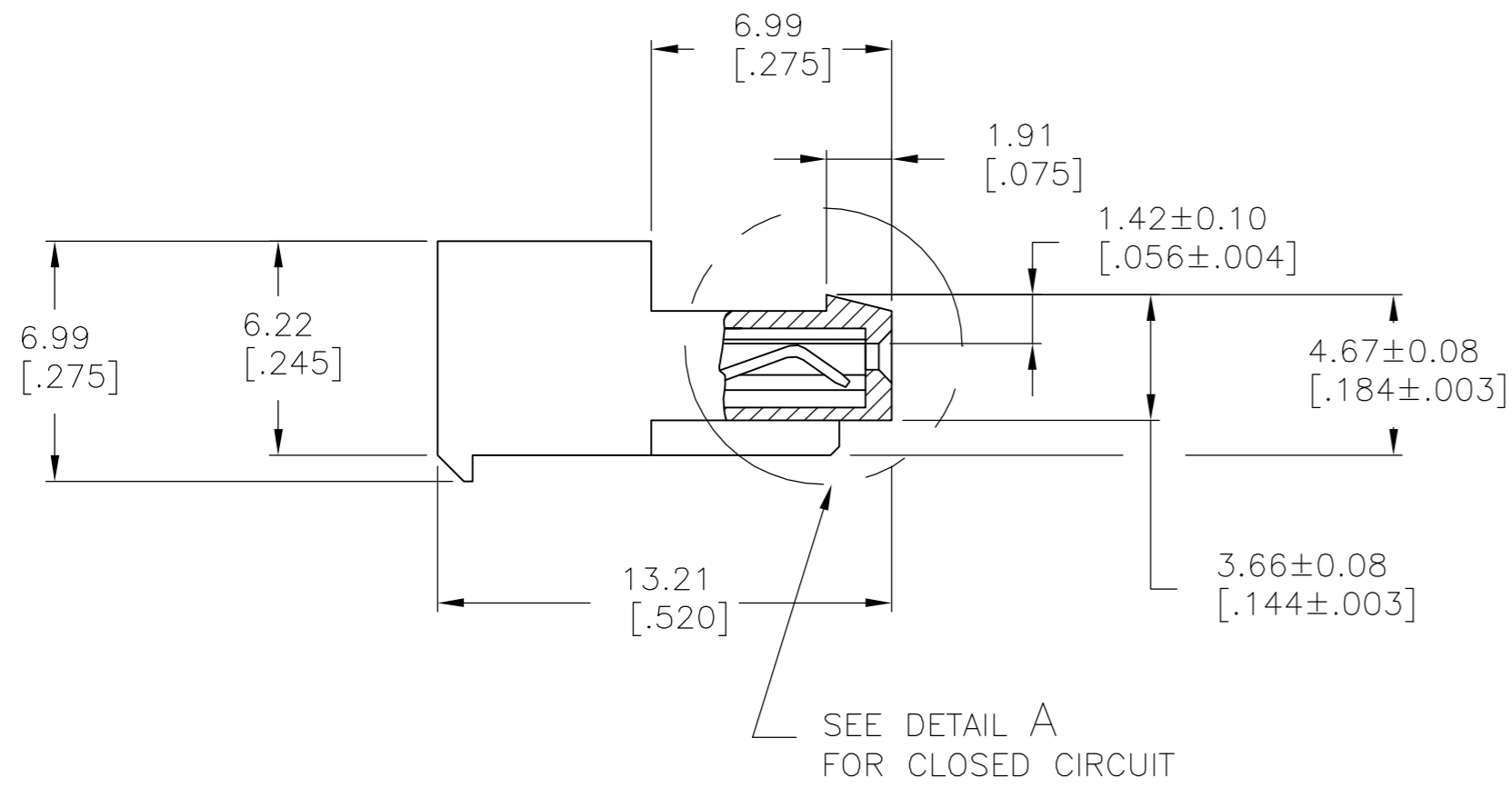
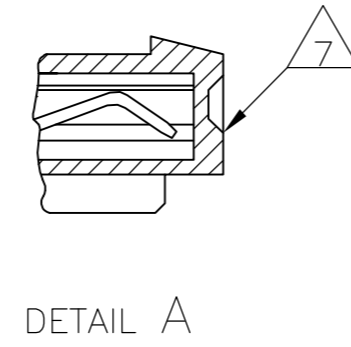
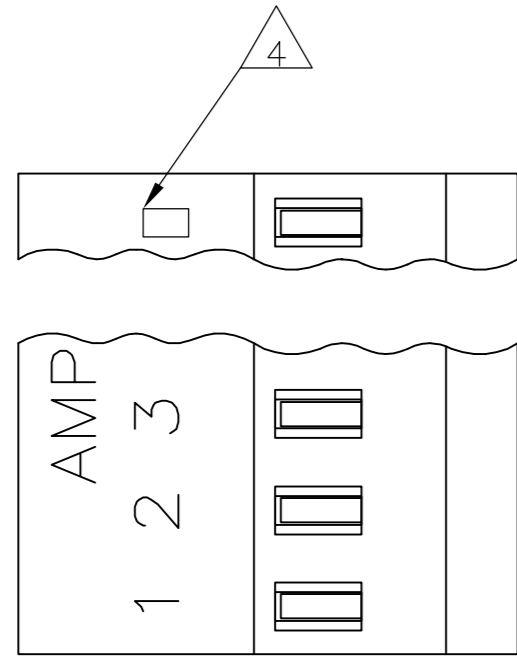


THIS DRAWING IS UNPUBLISHED. RELEASED FOR PUBLICATION  
 © COPYRIGHT BY TYCO ELECTRONICS CORPORATION. ALL RIGHTS RESERVED.

LOC	DIST	REVISIONS					
CM	00	P	LTR	DESCRIPTION	DATE	DWN	APVD
		J		REVISED PER ECO-07-003755	28FEB07	KW	DB



FINISH	DIM A	NO OF CIRCUITS	PART NO
TIN	17.78 [.700]	7	3-643586-7
TIN-LEAD	17.78 [.700]	7	643586-7

- 1 MATERIAL: CONNECTOR - NYLON UL94V-2 (WHITE).  
CONTACTS - 0.30[.012] THICK COPPER ALLOY  
MATTE WHISKER MITIGATED TIN  
0.00203[.000080] MIN THICKNESS  
OVER NICKEL UNDERPLATE OR BRIGHT  
TIN-LEAD 93/7 0.00203[.000080] MIN  
THICKNESS. SEE FINISH COLUMN FOR  
PLATING TYPE.
- 2. CONTACTS ACCEPT 24 AWG WIRE WITH 1.52[.060] MAX  
INSULATION DIAMETER.
- 3. CONTACTS MUST ACCEPT 0.64±0.03[.025±.001]  
POST AND REMAIN LOCKED IN POSITION.
- 4 IDENTIFICATION NUMBER FOR LAST CIRCUIT MAY  
NOT APPEAR ON ALL ASSEMBLIES.
- 5. DIMENSIONS IN BRACKETS ARE IN INCHES.
- 6. HOUSING FEATURES ARE: CLOSED END WITH LOCKING RAMP.
- 7 DETAIL A SHOWS CIRCUIT NO.4 MOLDED CLOSED.

THIS DRAWING IS A CONTROLLED DOCUMENT.

DWN B. LEWIS 22APR91	Tyco Electronics Corporation Harrisburg, Pa 17105-3608
CHK R. SWING 22APR91	
APVD G. MILLER 22APR91	
PRODUCT SPEC 108-1050	
APPLICATION SPEC 114-1019	NAME MTA-100 CONNECTOR ASSEMBLY, 24 AWG, NO.4 CIRCUIT CLOSED, SPECIAL
MATERIAL FINISH	SIZE A2
	CAGE CODE 00779
	DRAWING NO C=643586
	RESTRICTED TO -
CUSTOMER DRAWING	SCALE 5:1
	SHEET 1 OF 1
	REV J